



# CLKA CARD FOR QX3440

V1.0

## Features

- Mini-slot plug-in module for QX3440-CHPAa
- 1 x Fuse Alarm
- 1 x System Alarm
- 1 x Alarm input
- 2 x Clock input
- 1 x Clock output
- Multi-color LED for alarm status indication

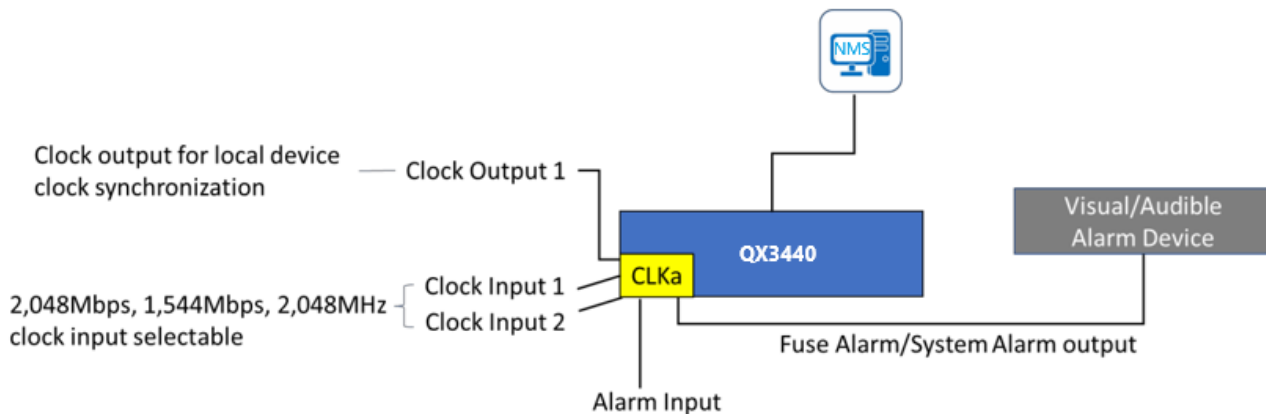


## Description

The QX3440-CLKa is a mini slot plug-in module that provides alarm in/out and clock in/out interfaces. It is a connector board that extends clock and alarm I/O connectors from the Controller card.

The QX3440-CLKa provides 1 x ALM\_IN, 2 x ALM\_OUT, 2 x CLK\_IN and 1 x CLK\_OUT with 14 pin terminal block for connection.

## Application Illustration



The CLKa detects external alarm attached to the ALM\_IN port, and sends alarm trap via SNMP for alerting the problem on management system.

## Ordering Information

**Note:** Units are RoHS compliant units.

Model	Description	Notes
QX3440-CLKa	CLKa Mini Slot plug-in card	Optionnal card for CHPAa/CHPCa chassis and QX3440-CPU-CCPSWA

## CLKa Card for QX3440 Series Product Specifications

Clock Input (CLK1_In, CLK2_In)	2,048Mbps, 1,544Mbps, 2048KHz
Clock Output (CLK1_Out)	2,048Mbps, 1,544Mbps, 2048KHz
Alarm Output (Fuse, SYS_ALM)	Max. Current: 1A for 24VDC, 0.625A for 48VDC Fuse alarm, System alarm
LED Indicator	Multi-color LED indication